



## Speed Monitor



This product can complete test and monitor the speed or pulse sequences by the collections of sensors. It can monitor rotating motion, straight-line motion, and all physical units converted to the pulse-group. It owns powerful and various functions for monitoring the excessive frequency, the speed rate, operation synchronization, and the reverse (slow/quick rate of rotation, and time-consuming synchronization or direction).



www.ema-electronic.com

Linking your system

### Features



- Smart speed monitor. User can easily set the frequency, rotation rate, pulse, and the warning signal
- Output: PNP, NPN, Relay, 0/4~20mA, 0~10V
- Display: LCD
- Power protection: overload, short-circuit, reverse polarity
- Mounting: DIN35
- Protection classification: IP50
- Certification: CE, RoHS

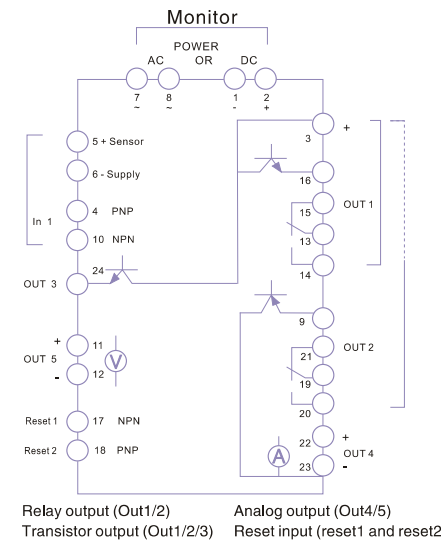
### Applications

This product is applied to monitor rapid pulse-group and meantime the standard signal collected by the sensors can be displayed, detected, and recorded. It is used to broadly monitor the operation of the electric machinery, the rotation of the conveyor belt, the rotation of the wind turbines blades, and the direction of electric machinery.

### Operating principle

This product can complete test and monitor the speed or pulse sequences by the collections of sensors. It can monitor rotating motion, straight-line motion, and all physical units converted to the pulse-group. It owns powerful and various functions for monitoring the excessive frequency, the speed rate, operation synchronization, and the reverse (slow/quick rate of rotation, and time-consuming synchronization or direction).

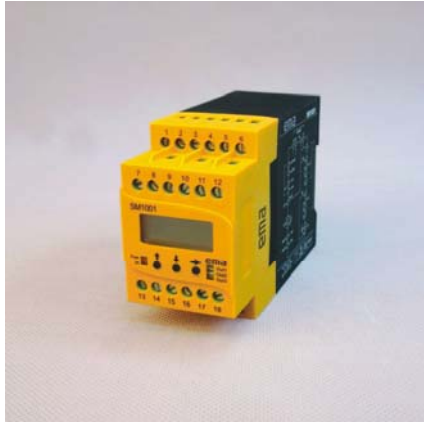
### Connection



### Wiring

Terminal	Function	Terminal	Function
1	DC Supply voltage (L-)	13	Relay-1 (center contact)
2	DC Supply voltage (L+)	14	Relay-1 (NO contact)
3	Supply transistor outputs (L+)	15	Relay-1 (NC contact)
4	Sensor signal PNP	16	Transistor output-1 PNP
5	DC Sensor supply (L+)	17	Reset-1 NPN
6	DC Sensor supply (L-)	18	Reset-2 PNP
7	AC Supply voltage	19	Relay-2 (center contact)
8	AC Supply voltage	20	Relay-2 (NO contact)
9	Transistor output NPN	21	Relay-2 (NC contact)
10	Sensor signal NPN	22	Analog current output (+)
11	Analog voltage output (L+)	23	Analog current output (-)
12	Analog voltage output (L-)	24	Transistor output-2 PNP

Inductive Proximity Sensors  
 Capacitive Proximity Sensors  
 Valve Proximity Switches  
 Photoelectric Sensors  
 area light curtains  
 Speed Monitor  
 As-I Gateway  
 As-I power supply  
 O/I Slave module  
 AS-I Repeater



- Smart Speed Monitor. User can easily set the frequency, rotation rate, pulse, and the warning signal
- Display: LCD
- Mounting: DIN35
- Output: PNP, NPN, Relay, 0/4~20mA, 0~10V
- Power protection: overload, short-circuit, reverse polarity



**Order information**

Order No.	Rotation Setting (RPM)	Frequency Setting (Hz)	Rated voltage [V]	Input	Output function	Analog output	Relay output	Transistor output	Drawing NO.
SM1001	1~60000	0.1~1000	230 AC / 24 DC	2	PNP / NPN / Namur	2	2	2	E1S01
SM1002	1~60000	1~2200	24 DC	1	PNP / NPN	0	2	2	E1S01
SM1003	1~60000	0.1~1000	110 AC / 24DC	2	PNP / NPN / Namur	2	2	2	E1S01
SM1004	1~60000	0.1~1000	220 AC / 24DC	2	PNP / NPN	2	2	0	E1S01

**Drawing**

Page >>> P.229

- Inductive Proximity Sensors
- Capacitive Proximity Sensors
- Valve Proximity Switches
- Photoelectric Sensors
- area light curtains
- Speed Monitor
- As-I Gateway
- As-i power supply
- O/I Slave module
- AS-i Repeater